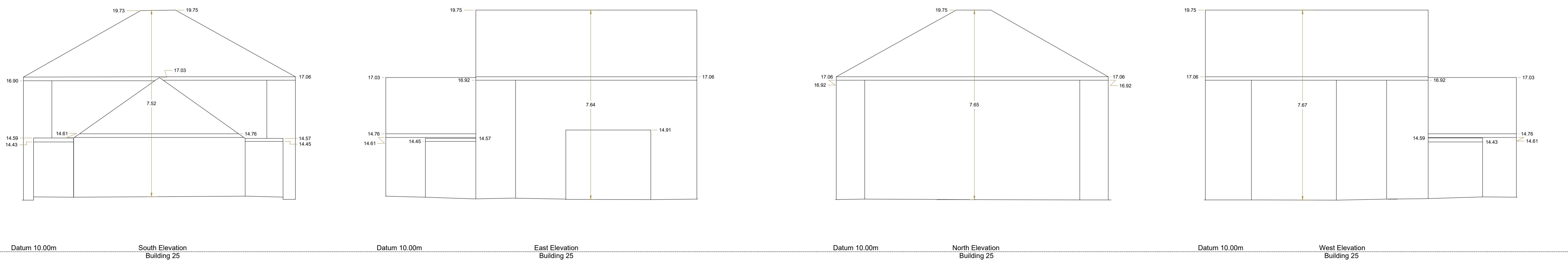
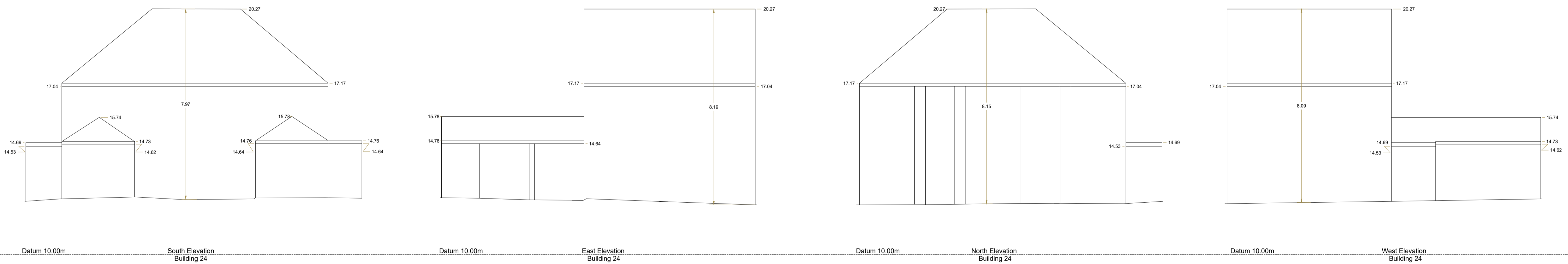
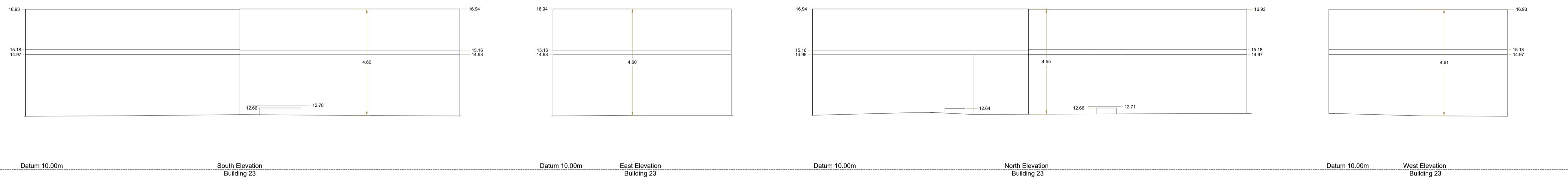
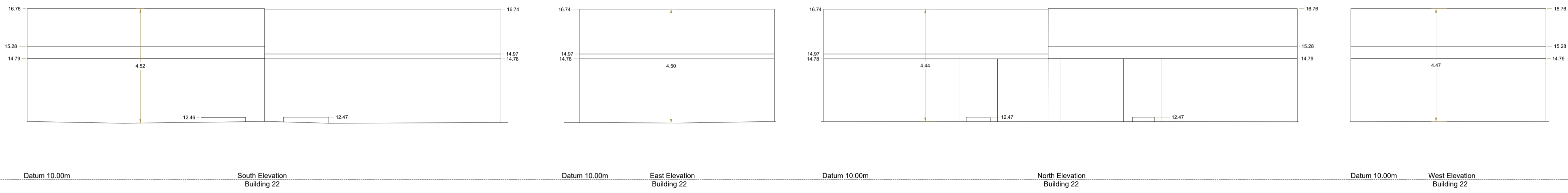


SITE 3 KEY
 Sc 1:1000



Client:
 The Jockey Club



Project:
 Sandown Park

24 Church St West,
 Woking, Surrey,
 GU21 6HT
 01483 494 350
 info@prc-group.com
 www.prc-group.com

Drawing Title:
 Site 3
 Existing Block Elevations

Scale @ A1: Checked by: Date:
 1:100; 1:1000 MC 05.06.19

Job No: Stage: Drawing No: Rev:
 11071 PL 603 *

Issue Status:
 Construction Preliminary
 Information Approval
 Tender

Architecture
 Planning
 Master Planning
 Urban Design
 Interiors
 Landscape

Offices
 Woking
 London
 Milton Keynes
 Warsaw